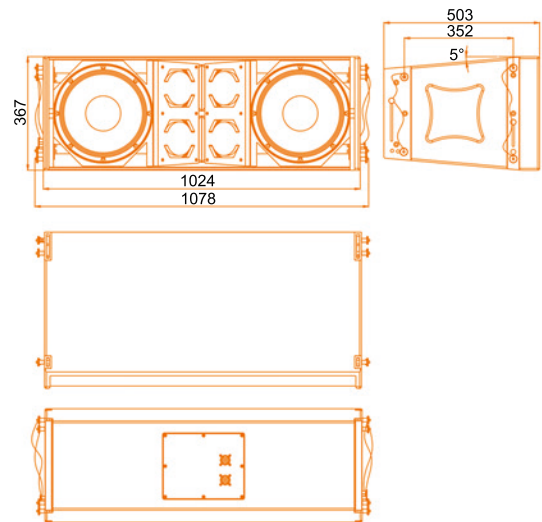


Operation T12

Dual 12" Three-Way Tri-Amp Line Array Speaker

FEATURES

- Two high quality titanium compression drivers with a 1.4" horn throat and a 75 mm (3") aluminium voice coil, designed and manufactured in Italy by B&C.
- The HF drivers provide a much smoother and more transparent high frequency response, whilst minimising distortion, especially at high sound pressure levels.
- The mid range is handled by 4 × 6.5" very high output neodymium drivers, designed and manufactured by Eighteen Sound in Italy. Featuring an edge-wound 45 mm (1.77") aluminium voice coil, they are the platinum standard for high-quality reproduction of the mid-range.
- The low frequency is handled by 2 × 12" high output woofers with a 75 mm voice coil, ensuring excellent sensitivity and dispersion.
- A specially-designed mid-range phase plug provides tight coherence and coupling across the frequency range.
- Carefully positioned high and mid-range drivers provide excellent phase coherence and directivity.
- The T12 is designed to operate at very high SPLs, and is fully optimised to work more efficiently at lower power levels.
- Precision-made 15-ply 24 mm and 11-ply 18 mm Baltic birch plywood cabinet, with a durable paint finish for touring and rental use.
- The integrated rigging system has a 7:1 safety coefficient.
- Designed for fixed-installation, touring, outdoor concerts, stadiums, and for all demanding sound reinforcement applications.
- Recommended for use with Operation T18B-V2 and WS118B Subwoofers.



SPECIFICATIONS

Frequency Response	96 Hz - 18 kHz (±3 dB) / 85 Hz - 20 kHz (-10 dB)		
Dispersion (H)	90°		
Sensitivity (1 W / 1 m)	HF: 110 dB	MF: 105 dB	LF: 100 dB
SPL	HF: 133 dB (Continuous) / 139 dB (Peak) MF: 132 dB (Continuous) / 138 dB (Peak) LF: 129 dB (Continuous) / 135 dB (Peak)		
Power Rating (AES)	HF: 2 × 110 W	MF: 4 × 120 W	LF: 2 × 400 W
Nominal Impedance	HF: 16 ohm	MF: 8 ohm	LF: 8 ohm
HF Drivers	2 × 1.4" Neodymium / 75 mm Voice Coil		
MF Drivers	4 × 6.5" Neodymium / 45 mm Voice Coil		
LF Drivers	2 × 12" Ferrite / 75 mm Voice Coil		
Enclosure	Phase Inverted		
Fittings	Operation T12 FK		
Connectors	NEUTRIK NL8MP x 2		
	HF: 1+1-	MF: 2+2-	LF: 3+3-
Dimensions (W x D x H)	1024 × 503 × 367 mm		
Net Weight	68 kg		

