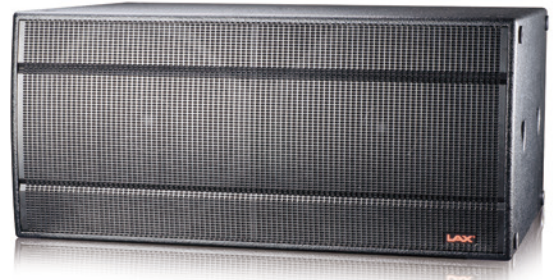


AT218B

Dual 18" Subwoofer

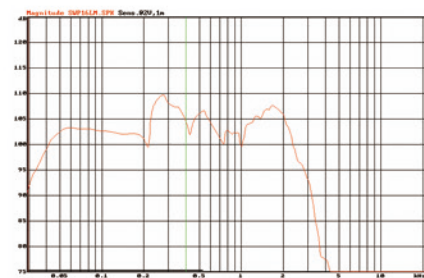
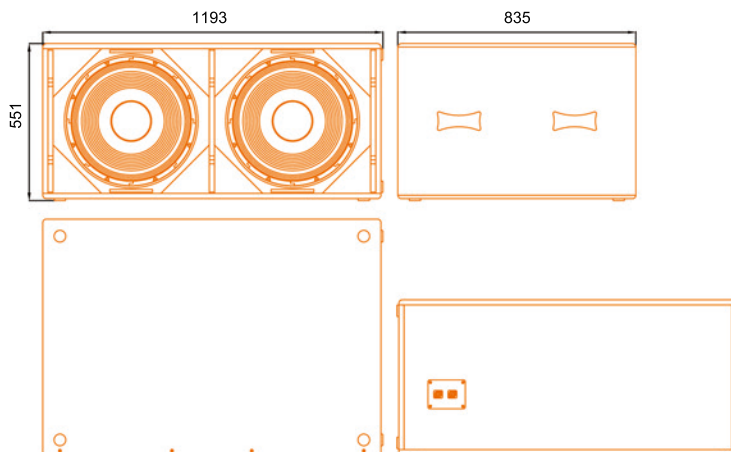
FEATURES

- High powered 1800 W subwoofer, with 2 x 18" drivers with a 100 mm (4") dual layer voice coil, providing more surface area for strength and durability.
- Precision-made 15-ply 24 mm and 11-ply 18 mm Baltic birch plywood cabinet, with a durable paint finish for touring and rental use.
- Optimized cabinet structure designed to reduce unwanted resonances and airflow noise.
- Designed to be ground stacked in various array configurations.
- Low frequency extends down to 30 Hz (@ -10dB).
- Reinforced V-Slot grille reduces internal vibration noise.
- The LF drivers features a humidity resistant paper cone.
- Designed for touring, outdoor concerts, stadiums, fixed installation and for all demanding sound reinforcement applications.
- Recommended for use with ATEC and Novo Line Array Systems, AR Curve Array Systems, FP and all full-range speaker systems.

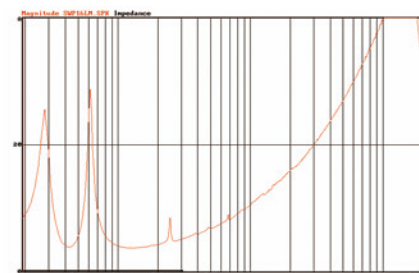


SPECIFICATIONS

Frequency Response	40 Hz - 150 Hz (± 3 dB) / 30 Hz - 250 Hz (-10 dB)
Sensitivity (1 W / 1 m)	104 dB
SPL (1m)	136 dB (Continuous) / 142 dB (Peak)
Power Rating (AES)	1800 W
Nominal Impedance	4 ohm
LF Driver	2 x 18" Ferrite Woofer / 100 mm Voice Coil
Enclosure	Phase Inverted
Connectors	NEUTRIK NL4MP x 2 HF: 2+2- LF: 1+1-
Dimensions (W x D x H)	1193 x 835 x 551 mm
Net Weight	86 kg



Frequency Response Curve



Impedance Curve