

AT110-V2

Single 10" Two-Way Bi-Amp Line Array Speaker

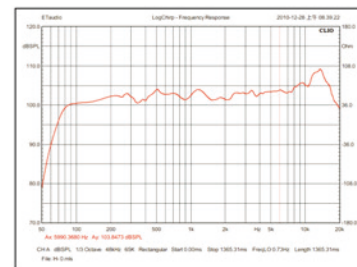
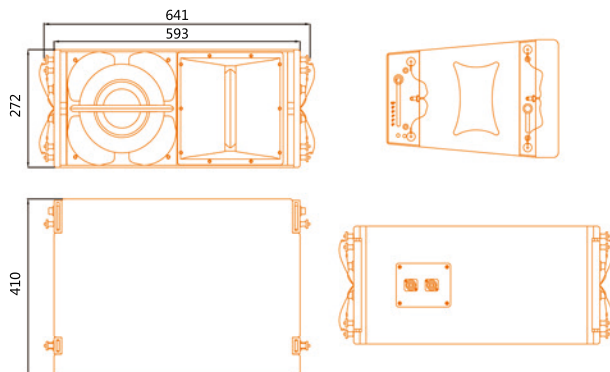
FEATURES

- A high quality titanium compression driver with a 1.4" horn throat and a 75 mm (3") aluminium voice coil, designed and manufactured in Italy by B&C.
- The low and mid frequency driver - designed and manufactured by Eighteen Sound in Italy - is a high output neodymium driver featuring a 65 mm Inter-leaved Sandwich Voice coil (ISV), designed to improve sensitivity and dispersion.
- A single demodulating ring (SDR) minimises distortion.
- Precision-made 24 mm, 18 mm and 15 mm Baltic birch plywood cabinet (up to 15-ply), and finished with durable paint for touring and rental use.
- The LF driver has a humidity resistant paper cone.
- Reinforced V-Slot grille reduces internal vibration noise.
- The integrated rigging system has a 7:1 safety coefficient.
- Designed for a multitude of fixed-installation applications and outdoor use.
- Recommended for use with ATL18B, S118B, WS118B, AT218B, or T18B-V2 Subwoofers.

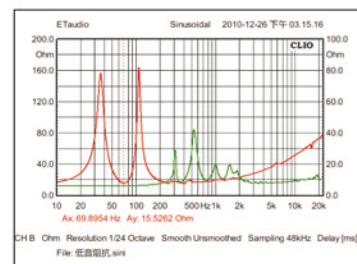


SPECIFICATIONS

Frequency Response	80 Hz - 18 kHz (± 3 dB) / 70 Hz - 20 kHz (-10 dB)	
Dispersion (H \times V)	100° \times 10°	
Sensitivity (1W / 1m)	HF: 109 dB	LF: 103 dB
SPL (1 m)	HF: 127 dB (Continuous) / 133 dB (Peak) LF: 127 dB (Continuous) / 133 dB (Peak)	
Power Rating (AES)	HF: 75 W	LF: 350 W
Nominal Impedance	HF: 16 ohm	LF: 16 ohm
HF Driver	1 \times 1.4" Neodymium / 75 mm Voice Coil	
LF Driver	1 \times 10" Neodymium / 65 mm Voice Coil	
Enclosure	Phase Inverted	
Fittings	AT110 - V2 FK	
Connectors	NEUTRIK NL4MP \times 2 HF: 2+2- LF: 1+1-	
Dimensions(W \times D \times H)	593 \times 410 \times 272 mm	
Net Weight	23 kg	



Frequency Response Curve



Impedance Curve